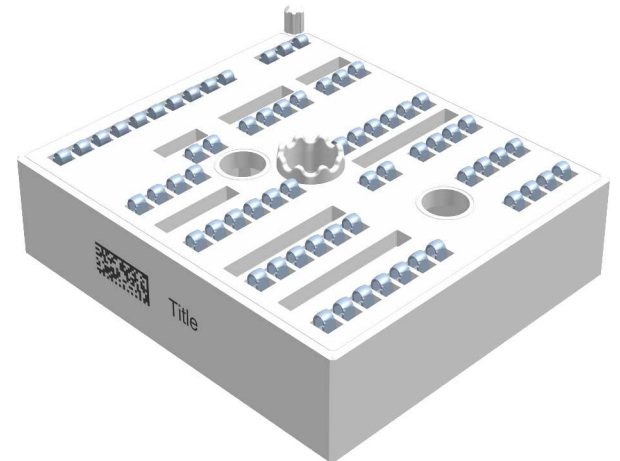
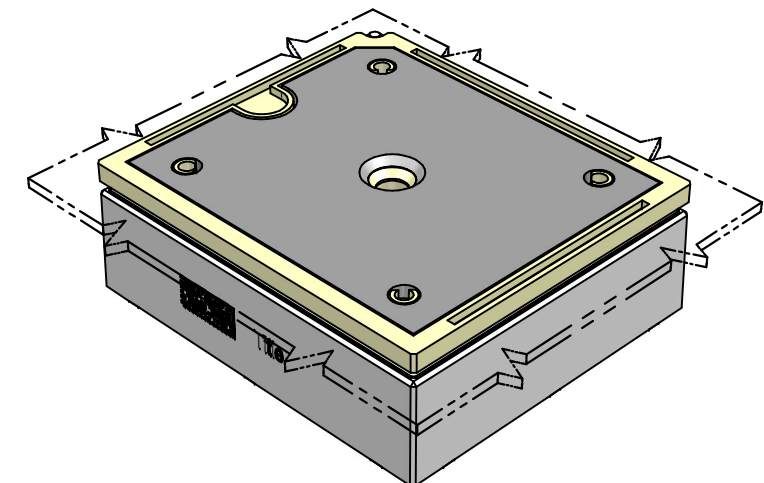
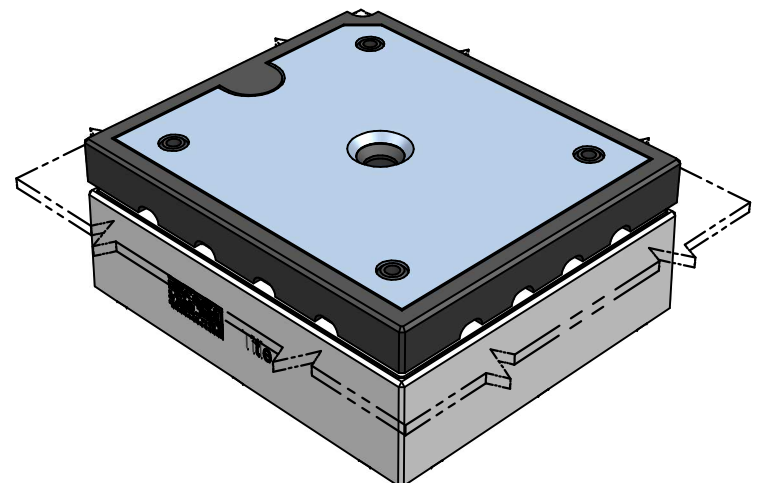
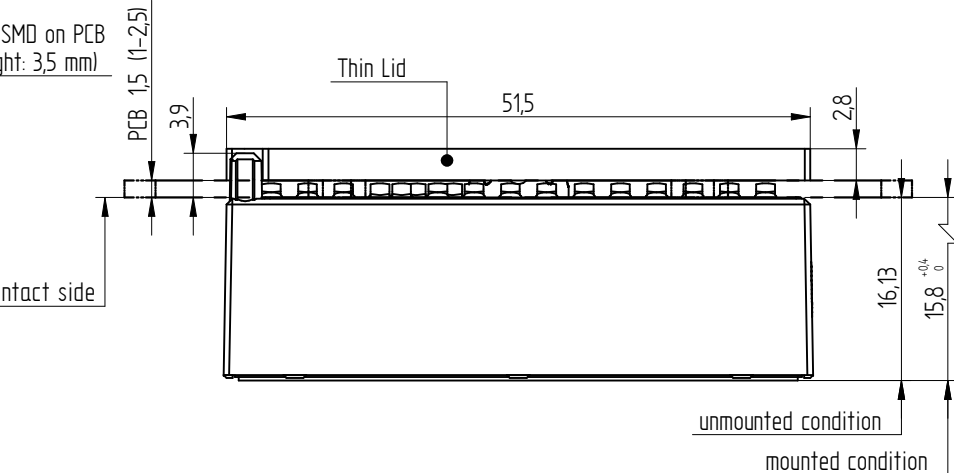
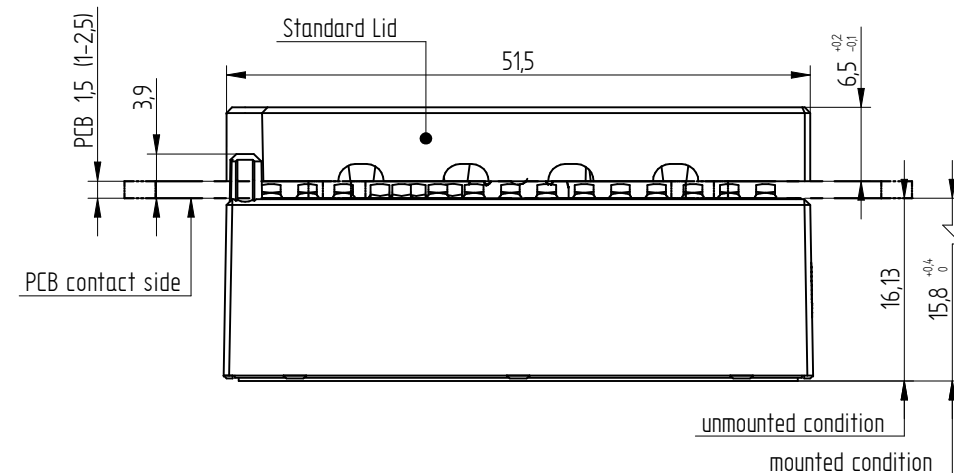
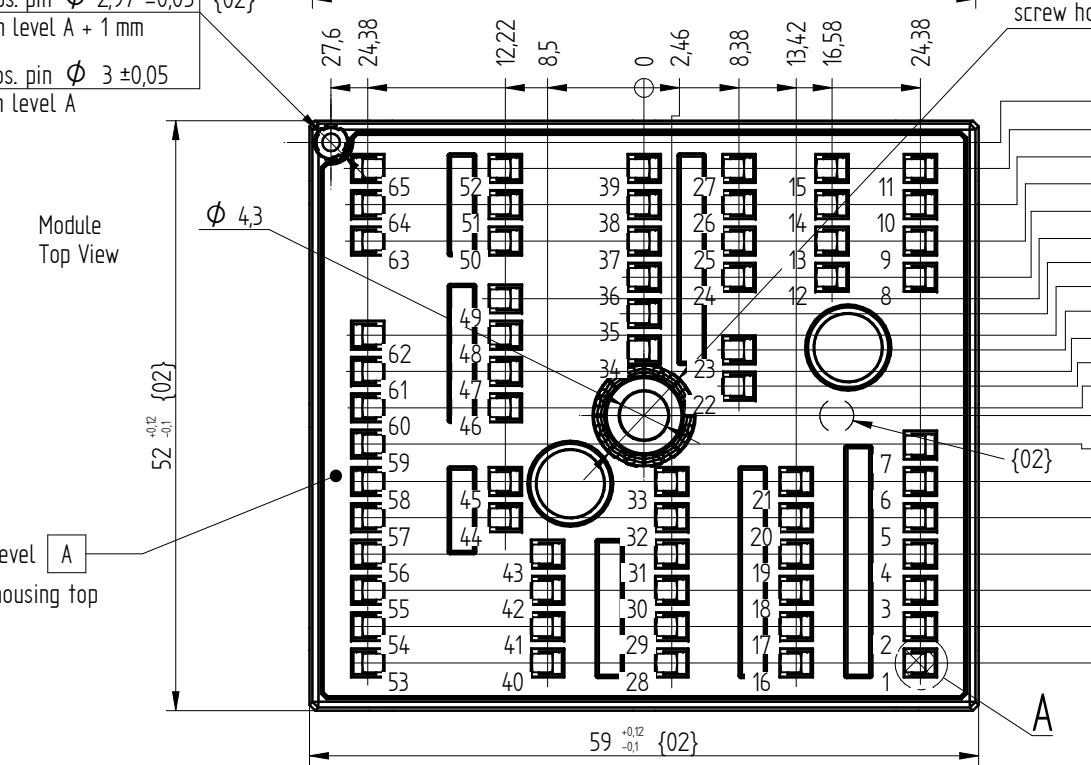
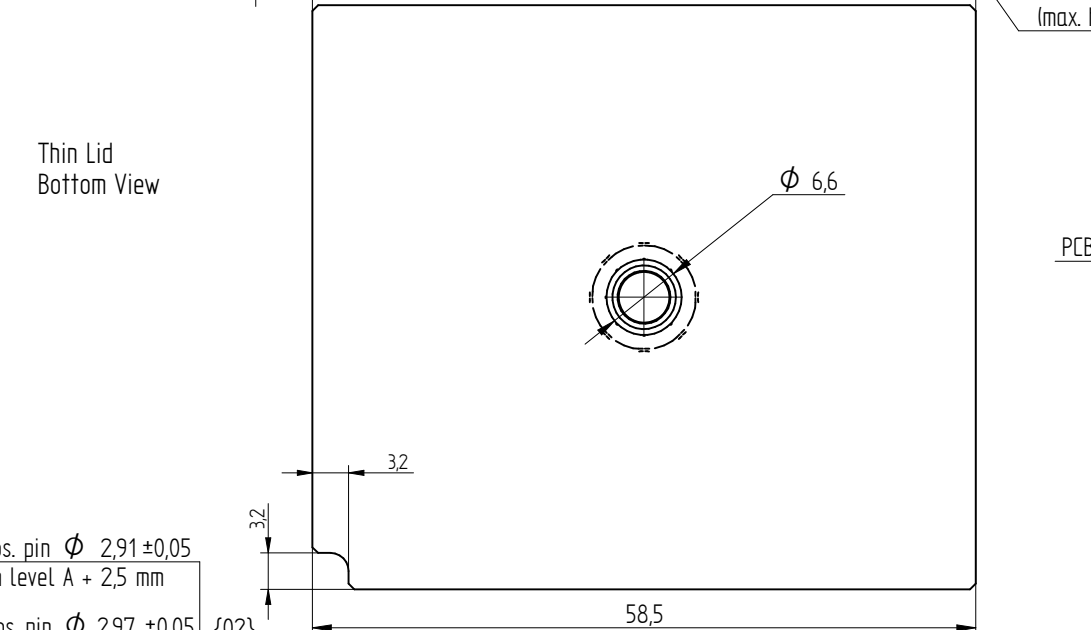
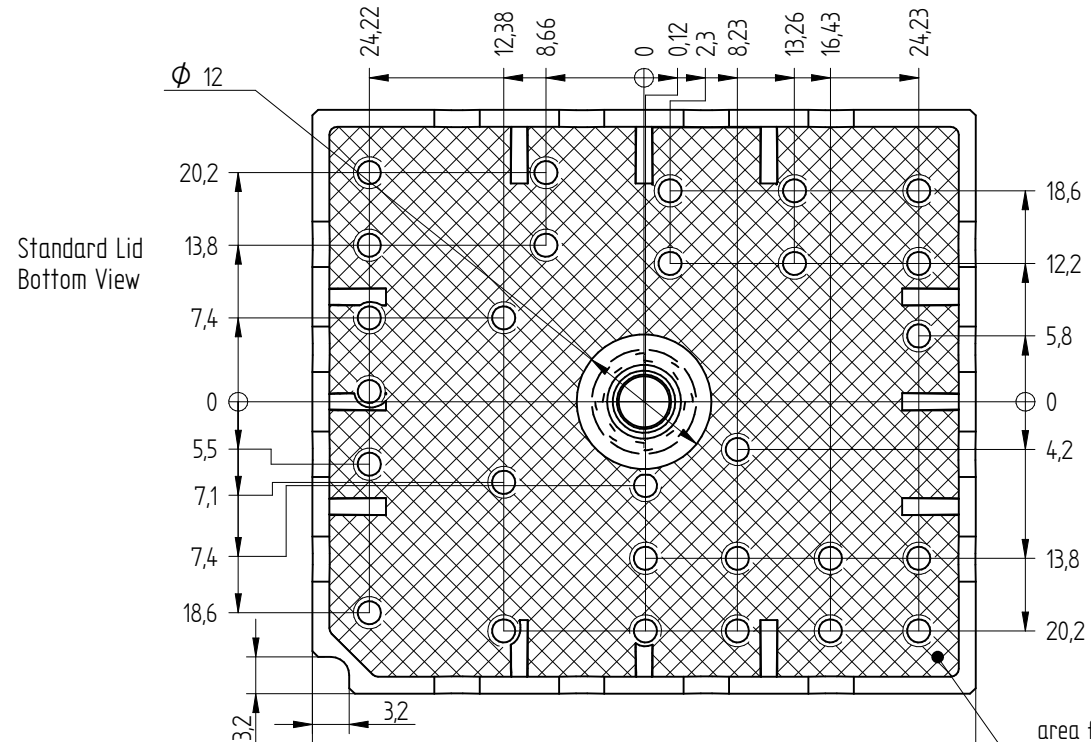
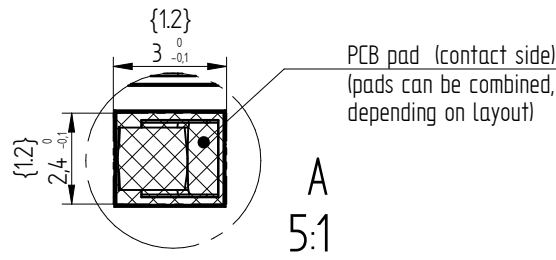


Proprietary data, company confidential. All rights reserved.



Tolerance of coordinate dimensions: $\pm 0,1\text{mm}$
 PCB specification according to the actual handling instruction
 Actual pinout, see on the module datasheet
 For assembly related dimensions refer to the attached 3D-CAD models



Rev.	Date	Alteration	Designed	Approved	Page	
02	04.10.2018	pos. pin dia; close hole on top; add outer dim tol.	Gyimony Zs.	Géczy M.	View scale	
01.2	02.01.2018	Housing update	Géczy M.	Gyimony Zs.	1,5:1	
01.1	09.06.2015	dim. correction; updates on std. lid	Gyimony Zs.	Gyetvai T.	Package drawing	
General tolerances ISO 2768 - m, K			Ps A3		Page	
Linear dimensions		$x < 0,5 \pm 0,05$	$0,5 \leq x < 6 \pm 0,1$	$6 \leq x < 30 \pm 0,2$	$30 \leq x < 120 \pm 0,3$	1/1
Chamfers, radii		$x < 0,3 \pm 0,05$	$0,3 \leq x < 0,5 \pm 0,1$	$0,5 \leq x < 3 \pm 0,2$	$3 \leq x < 6 \pm 0,5$	
References		Inspectional dim: \square	Revision number (Rev.): *	IP Development	Drawing alteration in revision: {}	



Skip2-⁺PD